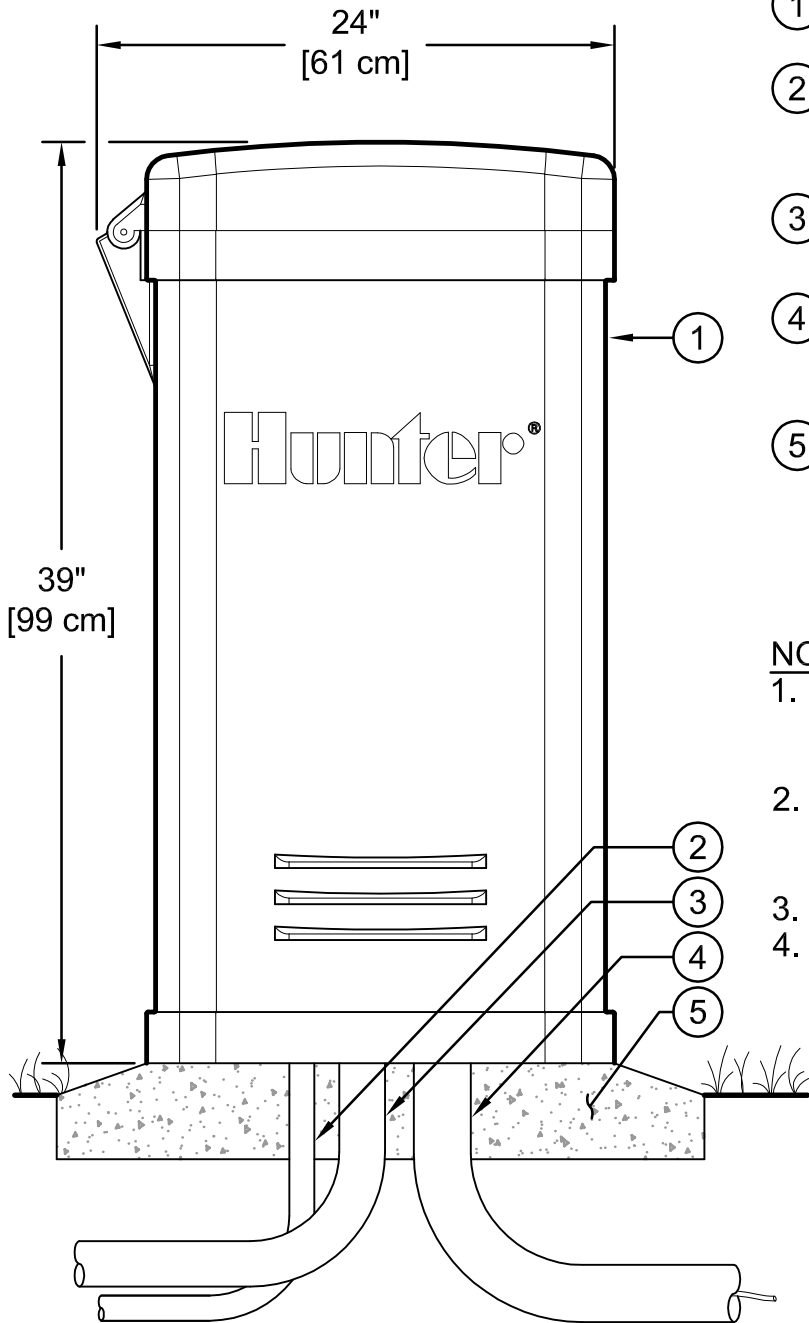


**DETAIL LEGEND:**

- ① IRRIGATION CONTROLLER (HCC-800-PP) PER PLAN
- ② ELECTRICAL SUPPLY CONDUIT - CONNECT TO POWER SOURCE, J-BOX INSIDE CONTROLLER
- ③ GROUND WIRE CONDUIT - GROUND PER ASIC GUIDELINES
- ④ IRRIGATION CONTROL WIRE IN CONDUIT - SIZE AND TYPE PER LOCAL CODES
- ⑤ CONCRETE PEDESTAL BASE PER PLAN OR THE HUNTER "PLASTIC PEDESTAL INSTRUCTION GUIDE" - INSURE POSITIVE DRAINAGE AWAY FROM PEDESTAL.

**NOTES:**

- 1. CONTROLLER ACCEPTS 120 VOLTS A.C. OR 230 VOLTS A.C. (INTERNATIONAL MODEL).
- 2. CONTROLLER SHALL BE HARD-WIRED TO GROUNDED 110 VAC POWER SOURCE
- 3. PEDESTAL IS 17" [43 cm] DEEP.
- 4. REFER TO THE HUNTER HCC INSTALLATION GUIDE FOR FURTHER INSTRUCTIONS.



**IRRIGATION CONTROLLER - PLASTIC PEDESTAL  
 (HCC-800-PP)**

