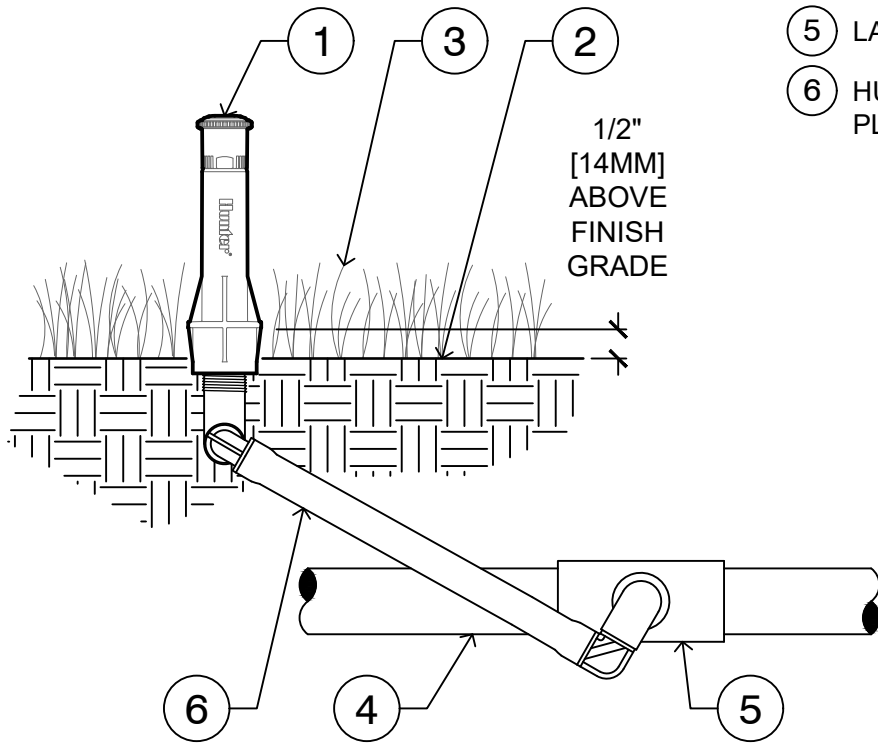


LEGEND

- ① HUNTER SPRAY BODY
(PROS-00-PRS30/40): NOZZLE
AND CAP PER PLAN
- ② FINISHED GRADE
- ③ ADJACENT LANDSCAPE
- ④ LATERAL PIPE PER PLAN
- ⑤ LATERAL FITTING PER PLAN
- ⑥ HUNTER SWING JOINT (PER
PLAN)



**SHRUB ADAPTER (PROS-00-PRS30/40)
WITH HUNTER SWING JOINT**

00

N.T.S.