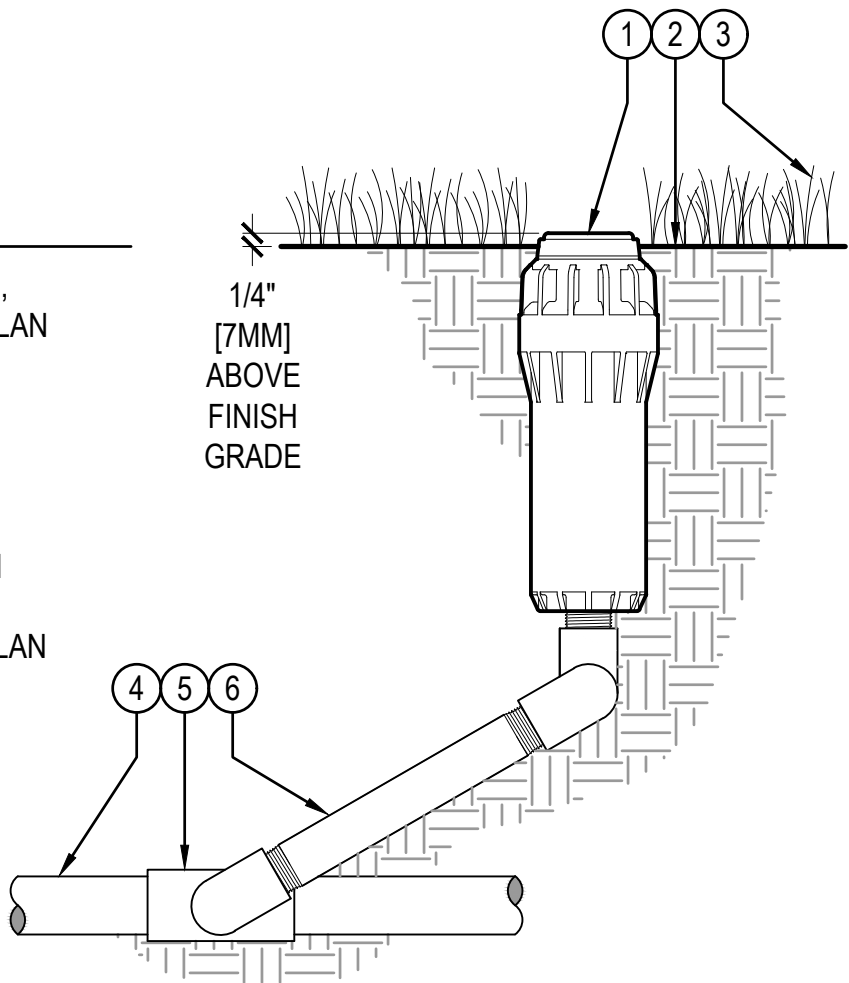


LEGEND

- ① HUNTER ROTOR (I-25-04),
NOZZLE AND CAP PER PLAN
- ② FINISHED GRADE
- ③ ADJACENT LANDSCAPE
- ④ LATERAL PIPE PER PLAN
- ⑤ LATERAL FITTING PER PLAN
- ⑥ FIELD-BUILT SWING ARM



POP-UP ROTOR (I-25-04) WITH RIGID SWING ARM



Hunter® R.I-25.02

NO SCALE