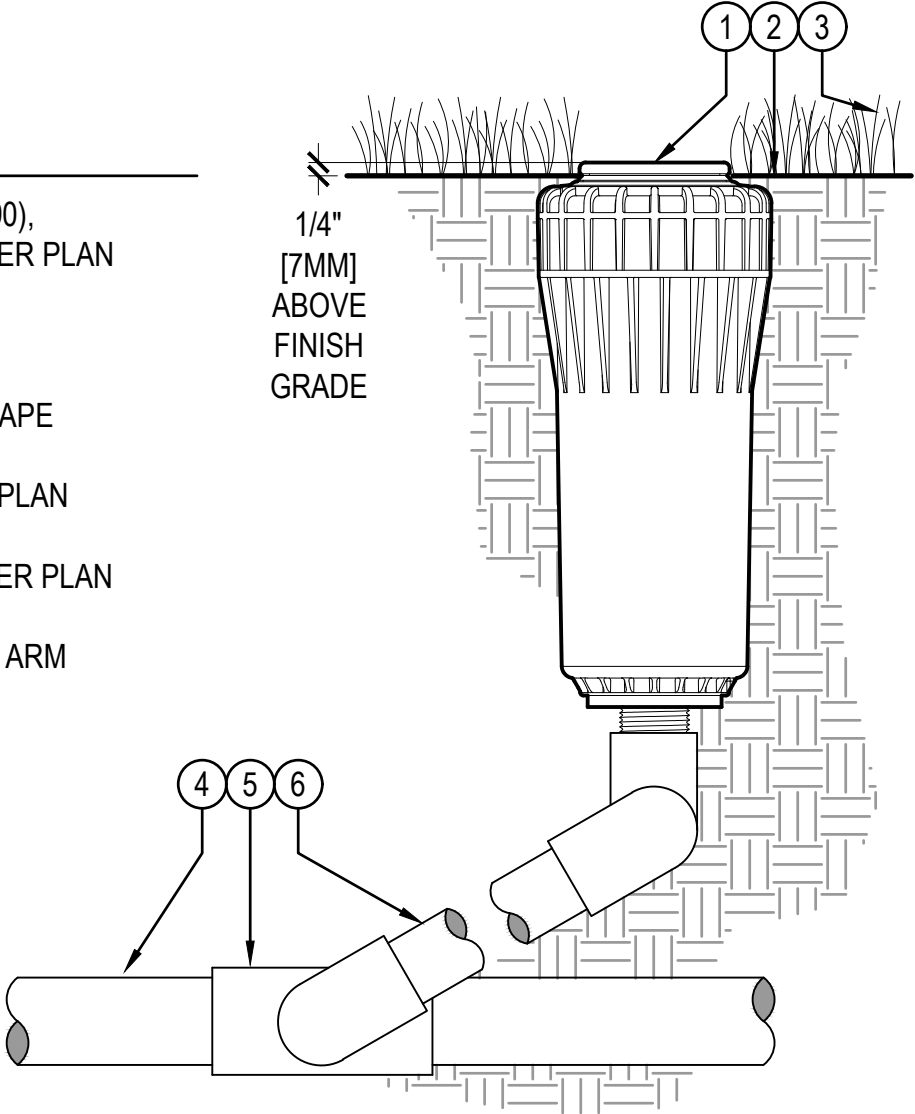


LEGEND

- ① HUNTER ROTOR (I-90), NOZZLE AND CAP PER PLAN
- ② FINISHED GRADE
- ③ ADJACENT LANDSCAPE
- ④ LATERAL PIPE PER PLAN
- ⑤ LATERAL FITTING PER PLAN
- ⑥ FIELD-BUILT SWING ARM



**POP-UP ROTOR (I-90)
WITH RIGID SWING ARM**

