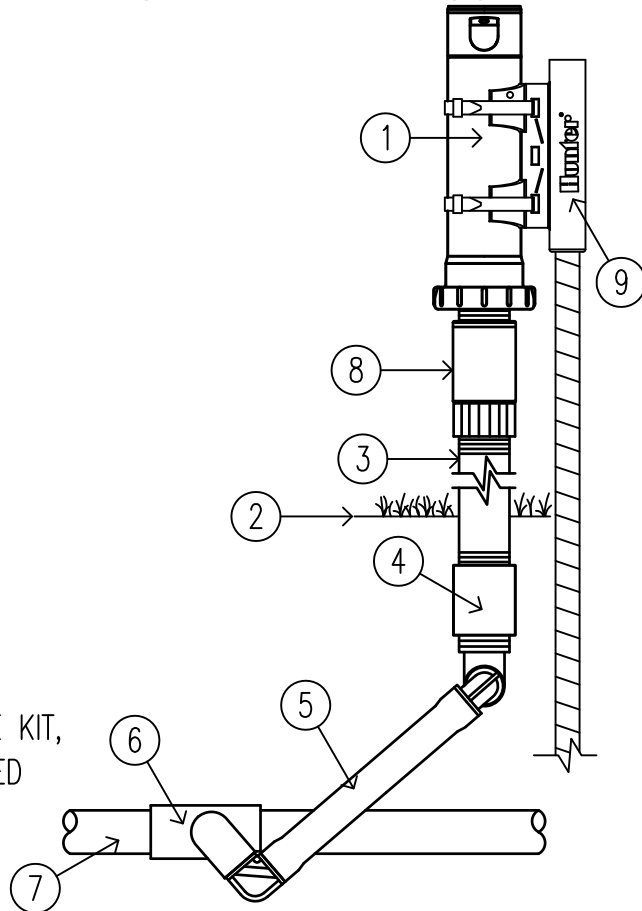


\*When using larger GPM nozzles, beware of high friction loss in swing joints.

- ① MODEL PGP-00 ROTOR HEAD
- ② FINISH GRADE
- ③ SCH 80 NIPPLE
- ④ SCH 40 THREADED COUPLER
- ⑤ HUNTER SWING JOINT  
MODEL SJ-5XX-X
- ⑥ LATERAL TEE OR ELL
- ⑦ LATERAL PIPE
- ⑧ MODEL HC-75F-75M  
CHECK VALVE
- ⑨ MODEL 463551 SHRUB STAKE KIT,  
#4 REBAR, LENGTH AS NEEDED



XX

## PGP-00 ROTOR HEAD

SCALE: 3" = 1'-0"

Hunter IRRIGATION DETAIL

OPTIONS:

- R = FACTORY INSTALLED RECLAIMED RUBBER COVER
- CV = FACTORY INSTALLED DRAIN CHECK VALVE