

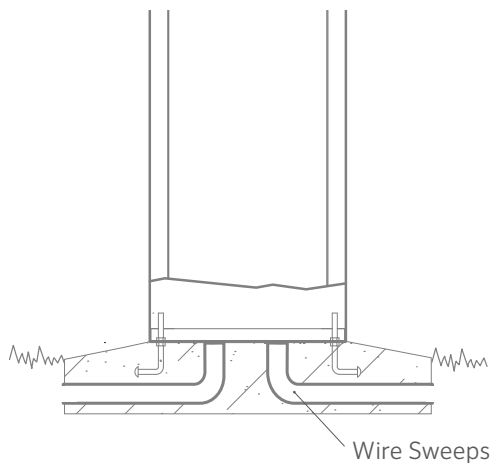
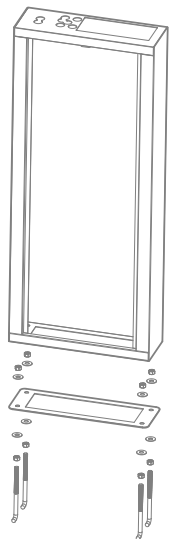
# METAL PEDESTAL INSTALLATION GUIDE



For use with Hunter ACC2, ACC, and I-Core® controllers

## PREPARE CONCRETE

- Prepare the form for the concrete pad, approximately 23"/58 cm W x 18"/46 cm D x 4"/10 cm H. Place the template, bolts, and wire sweeps. Pour the slab and allow it to cure. Install the pedestal on the slab.



## INSTALL CONTROLLER ON PEDESTAL

- Peel and stick the gasket (required with ACC2).
- Remove the wiring compartment cover.
- Align the mounting adapter plate for the controller model (left for I-Core and original ACC, right for ACC2).
- Tighten the nuts on the matching threads.

