

# ST-1600-KIT / ST-1600-HS-B

This all-in-one solution offers unmatched cleaning, cooling, and flushing capabilities to prepare synthetic sports fields for play.

## KEY BENEFITS

- Nozzle choices: 6 (included)
- Standard nozzle: 20
- Nozzle range: 16 to 26
- Nozzle trajectory: 25°
- Isolated, grease-lubricated gear drive
- Movable stops (left and right) arc adjustment
- Arc setting: 40° to non-reversing 360°
- Ratcheting nozzle turret
- Adjustable speed of rotation: 0 to 65 seconds (high-speed models, 180° at 120 PSI)
- Warranty period: 5 years for component parts

## OPERATING SPECIFICATIONS

- Radius: 107' to 165'
- Flow: 96.2 to 326.8 GPM
- Operating pressure range: 60 to 120 PSI
- Precipitation rate: 2.25 in/hr approximately

## USER-INSTALLED OPTIONS

- Simulated concrete cover for attachment to the top of the flattened Infill Barrier System (used with vault): P/N ST-FRP-1600
- ST approved adhesive for attaching artificial turf, track, or simulated concrete (ST-FRP-1600) to Infill Barrier System: P/N ST-ADH-K
- ST-1600 Short-Radius Nozzle Kit: P/N 959900
- Adapter, 2" slip x 2" male BSP: P/N 241400SP
- DC-Latching Solenoid Kit: P/N ST-LSA



### ST-1600-HS-B (High-Speed)

Overall height: 22½"  
Pop-up height: 5"  
Diameter: 14"  
Inlet size: 2" BSP\*

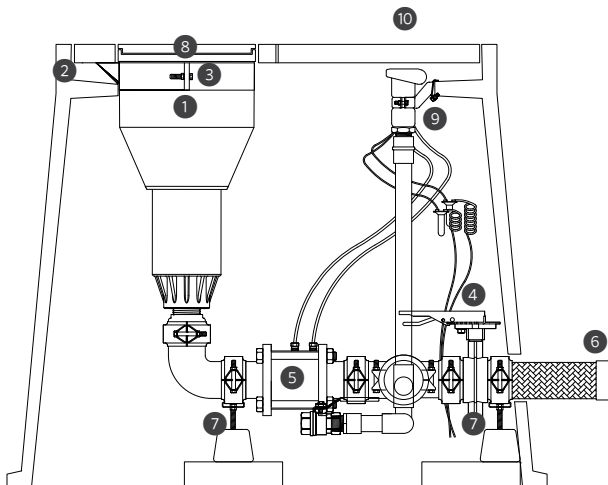
\*Use P/N 241400SP 2" BSP t.o.e nipple adapter to 2" PVC pipe if needed.



### ST-1600 Tool

P/N 517600SP  
For gear-drive installation and removal

## ST-1600-KIT



## ST-1600-KIT COMPONENTS

Figure	Components	Qty	Description
1	ST-1600-HS-B	1	High-speed pop-up, adjustable arc (40°-360°), 2" BSP inlet
2	ST-243636-B	1	Composite vault
3	ST-BKT-1600	1	Rotor vault hanger and grade adjustment bracket for ST-1600-HS-B Rotor
4	ST-BVF30-K	1	Manifold butterfly valve and Victaulic® coupling fitting kit
5	ST-V30-KV	1	3" metal control valve, 3" grooved Victaulic inlet/outlet fittings, solenoid, and on-off-auto selector manifold
6	ST-H30-K	1	Stainless steel inlet hose 3" NPT inlet
7	ST-SPT-K	2	Adjustable manifold support stand; two required per vault
8	ST-IBS-1600	1	Infill barrier system Rubber Cover Kit for ST-1600-HS-B Rotor
9	ST-BKT-QCV	1	Hanger bracket for HQ-5-RC Quick Coupler
10	HQ-5-RC	1	Quick Coupler, 1" NPT inlet, 1¼" outlet for key

Victaulic is a trademark of Victaulic Company.

ST Infill Barrier System

**ST-IBS-1600**  
Rubber Cover Kit with infill barrier system.

ST Adjustable Hanger Bracket

**ST-BKT-1600**  
This bracket supports the rotor within the vault and provides vertical elevation adjustments, allowing for a perfect surface transition.

ST Manifold and Isolation Valve

**ST-BVF30-K**  
Galvanized iron manifold, including 3" fitting, isolation valve, and drain valve.

ST H-Block Manifold Supports

**ST-SPT-K**  
Adjustable support stands include a large footprint base made from recycled tire rubber and a 2" vertically adjustable support rail (two required under manifold).



ST Flexible Stainless Steel Inlet Hose

**ST-H30-K**  
3" ultra-flexible, corrugated, stainless steel hose with stainless steel support braiding.

ST Low-Loss, Slow-Opening Valve

**ST-V30-KV**  
Heavy-duty 3" low-pressure-loss metal valve, including on-off-auto selector and solenoid.



ST-1600 NOZZLE PERFORMANCE DATA\*

Nozzle	Pressure PSI	Radius ft.	Flow GPM	Precip in/hr	
				■	▲
16 ● Black	60	107	96.2	1.63	1.88
	70	115	107.3	1.57	1.81
	90	121	117.8	1.54	1.78
	100	128	127.3	1.50	1.73
	115	135	137.4	1.46	1.69
18 ● Black	60	112	107.0	1.66	1.91
	70	121	119.4	1.56	1.80
	90	128	131.0	1.54	1.78
	100	133	141.3	1.54	1.78
	115	141	153.2	1.48	1.71
20 ● Black	60	115	144.0	2.10	2.43
	70	128	160.9	1.89	2.18
	90	141	176.5	1.71	1.97
	100	144	190.5	1.76	2.03
	115	148	204.2	1.80	2.08
22 ● Black	60	118	171.5	2.37	2.73
	70	130	191.8	2.20	2.54
	90	144	210.0	1.94	2.24
	100	151	226.9	1.84	2.12
	115	157	243.1	1.89	2.18
24 ● Black	60	121	202.1	2.64	3.05
	70	133	225.9	2.46	2.84
	90	148	247.6	2.19	2.52
	100	156	267.4	2.12	2.45
	115	160	286.4	2.16	2.49
26 ● Black	60	126	233.2	2.83	3.27
	70	136	260.4	2.71	3.13
	90	151	284.5	2.40	2.77
	100	160	307.0	2.31	2.67
	115	165	326.8	2.32	2.68

Note:

All precipitation rates are calculated for 180° operation. For the precipitation rate of a 360° sprinkler, divide by 2.  
\* All radius measurements are taken at standard rotation speeds. Slowing rotation to the minimum rotation speed will add 10+ feet to the radius.

SEAMLESS INTEGRATION

Blends in perfectly with the surrounding synthetic surface.



ST VAULTS

The heavy-duty, tapered fiberglass and polymer-concrete construction includes precast holes for the rotor, quick-coupler valve, and remote manifold assembly.

Quick Couplers provide a convenient source of water for washing down spills and water-soluble paint. The integrated in-vault design eliminates the need for additional quick-coupler enclosures.

The ST-V30-KV Valve Kit includes a remotely located on-off-auto selector and solenoid manifold assembly. These convenient features bring valve manual control functions and solenoid splice connections closer to the surface for easy access.

**ST-243636-B:** Includes 3" thick, 4-piece PC cover set

Main cover: 24" x 36"  
Overall height: 36"  
Body weight: 170 lbs  
Total weight: 320 lbs  
Base pad: 42" x 48"  
Quick-access ports: 2



① Quick Coupler    ② On-Off-Auto Selector